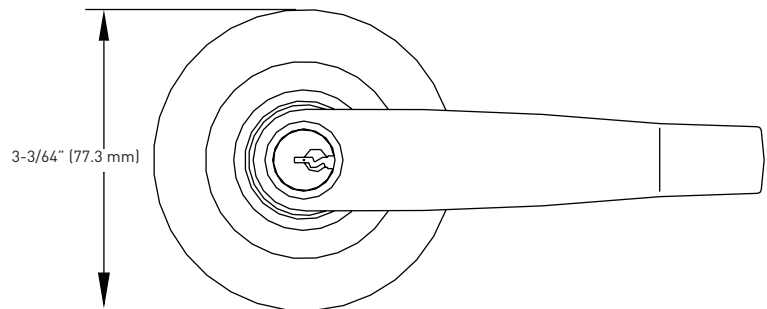
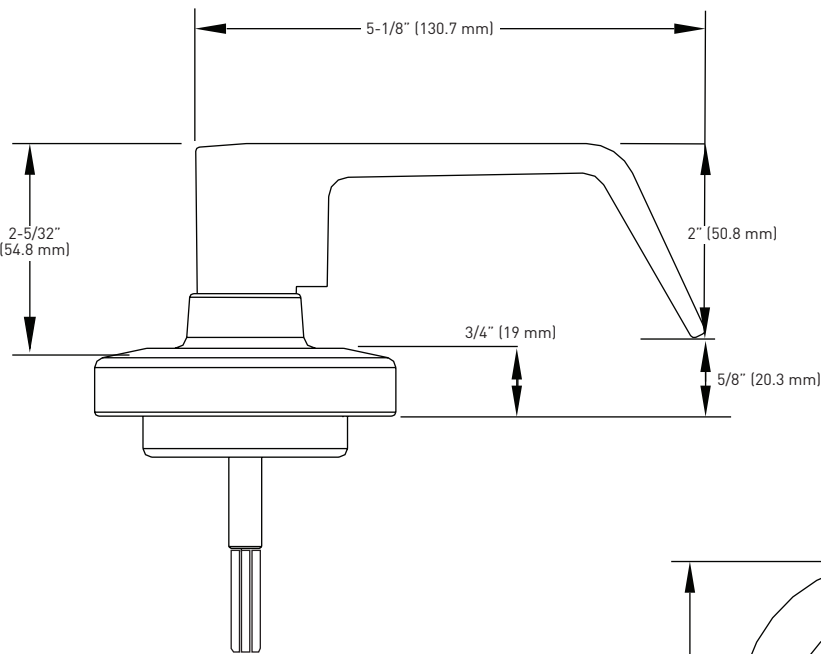


SPECIFICATIONS

- NEW ENHANCEMENTS** ULTRA-HEAVY DUTY ACTUATING MECHANISM
- COMPATIBILITY** ALL 8500 & 9700 SERIES PUSH PAD EXIT DEVICES
- FUNCTIONS** ENTRY*, STOREROOM, PASSAGE
- CYLINDER** RIM CYLINDER WITH 6 PIN SCHLAGE 'C' KEYWAY FOR STOREROOM FUNCTION MORTISE CYLINDER (1-1/8" DEPTH) WITH 6 PIN SCHLAGE 'C' KEYWAY FOR ENTRY FUNCTION

*ENTRY FUNCTION ALSO SERVES AS CLASSROOM FUNCTION



 **5 YEAR MECHANICAL WARRANTY**

 **FULL KEYING SERVICES AVAILABLE**

6-pin SC4 keyway, packaged keyed different

 **MEETS ADA STANDARDS**

LEVER TRIMS

	26D SATIN CHROME	CASE QTY.
ENTRY FUNCTION* - SCHLAGE "C" KEYWAY	17-LEVAL	6
STOREROOM FUNCTION - TRIM MOUNTING PLATE INCLUDED (17-PPMTMP)	17-SRLEVAL	6
PASSAGE FUNCTION	17-PALEVSC	6